

# Voltage/Current Transformer Checker DAC-VTC-6/DAC-CTC-6

**SOKEN**



DAC-VTC-6/DAC-CTC-6 is a test set for measuring ratio errors and phase angles of instrument transformers CT/VT that ranging in a small current as the secondary from 1mA to 500mA for CT and 0.1V to 10V for VT combined with electronic meters like power meters, watt hour meters and transducers.

DAC-VTC-6/DAC-CTC-6 has two measurement modes. One is a comparison test mode by comparing VT/CT under test with reference standard VT/CT conventionally.

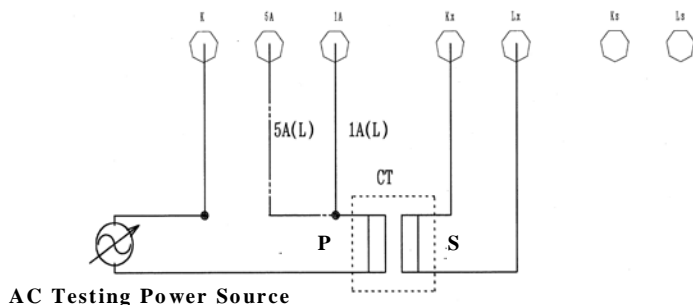
The other one is a Direct Comparison test mode in which measures one transformer to compare the ratio of the Primary and Secondary, to give ratio errors and phase angles without comparing with reference standard transformers. This mode is applicable to prototype test on development before production.

# Current Transformer Checker DAC-VTC-6/DAC-CTC-6

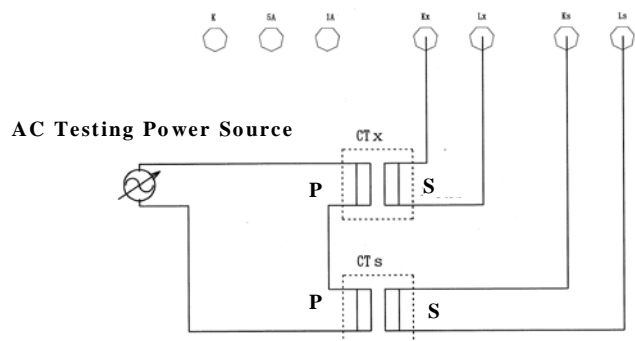
## Specification

Applicable VT (DAC-VTC-6) under test	Applicable CT (DAC-CTC-6) under test
<p>For Direct Comparison test mode</p> <ul style="list-style-type: none"> <li>Primary Voltage: 110V, 110/root3V*<sup>1</sup></li> <li>Secondary Voltage: 0.1V to 10V</li> </ul> <p>*1 Use Step-down method to adjust Primary Voltage of your specimen.</p> <p>For Comparison test mode</p> <ul style="list-style-type: none"> <li>Primary Current, User's option in the same ratio</li> <li>Secondary Voltage: 0.1V to 7V</li> </ul>	<p>For Direct Comparison test mode</p> <ul style="list-style-type: none"> <li>Primary Current: 1A, 5A *<sup>2</sup></li> <li>Secondary Current: 1mA to 500mA</li> </ul> <p>*2 Use Ampere-turn or Step-down method to adjust Primary Current of your specimen.</p> <p>For Comparison test mode</p> <ul style="list-style-type: none"> <li>Primary Current, User's option in the same ratio</li> <li>Secondary Current: 0.1m to 500mA</li> </ul>
<p><b>Measuring Range</b></p> <p>Ratio Error : 0.00% - +-20.00%</p> <p>Phase Angle : 0.0min - +-200.0min</p> <p>(Max.+-1000min is available as option)</p>	
<p><b>Measuring Accuracy:</b></p> <p>Ratio Error: +-(3%rdg+3 digits)</p> <p>Phase Angle:</p> <p>&gt;10% of rating : +-(3%rdg+3 digits)</p> <p>&lt;10% of rating : +-(3%rdg+5 digits)</p>	
<p>Frequency: 50/60Hz</p> <p>Interface: GP-IB</p> <p>Input Voltage: AC100V/200V+-10% 50/60Hz</p> <p>Size and Weight: W430xH200xD380mm, approx. 15kG</p>	

### Example: Measuring Connection on CT Test



**Direct Comparison Test**



**Comparison Test**

Specifications are subject to change for improvements without prior notice.



**SOKEN**

**SOKEN ELECTRIC Co., Ltd.**

10-04-09

3-57-124 Kami-Ishihara, Chofu-shi, Tokyo 182-0035

Tel. 042-490-6929 (Direct No. to Export Dept.) Fax 042-490-6806

[S2258@socket-jp.com](mailto:S2258@socket-jp.com) <http://www.socket-jp.com>