

C & tan δ Automatic Measuring Set

Model : DAC-ASM-7



DAC-ASM-7 has been designed to perform dielectric dissipation factor (tan δ) measurement in wide ranges.

Capacitance : 100pF~10 μ F / tan δ : 0~100%

Test Voltage can be supplied from AC100V to 12kV. DAC-ASM-7 can measure grounded or ungrounded specimen such as generator, motor, transformer and Insulating Materials precisely with CT & Cs Box built-in High Voltage Current Transformer and Standard Capacitor.

■ **Application** Generator, Motor, Cable, Transformer, Capacitor, Insulating Materials

- **Feature**
- Capacitance : 0.1nF~10 μ F Test Voltage AC100V~12kV
 - Internal Standard Capacitor (CT&Cs BOX)
 - Ground Specimen(GST) or Ungrounded Specimen(UST) under test can be selected.

SOKEN ELECTRIC CO., LTD.

C & tan δ AUTOMATIC MEASURING SET

Model : DAC-ASM-7

SPECIFICATIONS

- ◆ Test Voltage : AC100V~12kV 50/60Hz (HV testing power supply is not included)
- ◆ Test Range : Capacitance 0.1nF~10 μ F
tan δ 0~100%
- ◆ Resolution : Capacitance 0.1pF(1nF Range)
tan δ 0.001%(2% Range)
- ◆ Accuracy : Capacitance $\pm(1\%Rdg+2digit)$
 $\pm(5\%Rdg+5digit)$ 1nF or less
: tan δ /P.F $\pm(0.01\%+3\%Rdg+2digit)$
 $\pm(0.03\%+5\%Rdg+2digit)$ 1nF or less
(however, resolution is 0.01% on GST mode.)
- ◆ Interface : GP-IB
- ◆ Power Source : AC100V~240V $\pm 10\%$ 50/60Hz
- ◆ Size & Weight : Main Unit (DAC-ASM-7)
• W430 * H199 * D385(mm) 15kg
: CT&Cs BOX(DAC-CCB-7)
• W400 * H320 * D260(mm) 20kg
- ◆ Accessory : 1) Measuring Cable (GST, UST) 1 pc each
2) Dedicated Connecting Cables 2pcs
3) AC Cord 1pc
4) Grounding Cable 2pcs
5) Storage Bag 1pc

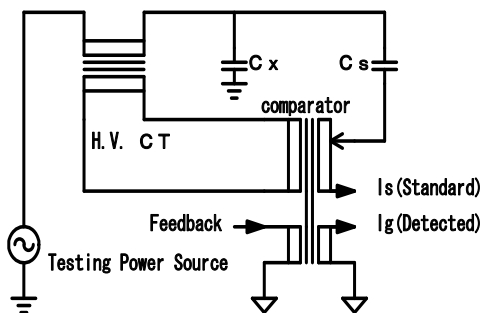


CT&Cs BOX (DAC-CCB-7)

- Precise current transformer and standard capacitor are built-in DAC-CCB-7. Error of capacitance and tan δ are input in CPU as compensated values to measure a true value.
- ◆ HV CT : Rated Current 10 μ F terminal 50A / 1 μ F Terminal 3A
(on continuous measurements 1/10 of rated current.)
 - ◆ Cs : Capacitance 1000pF $\pm 10\%$
tan δ 0.05% or less

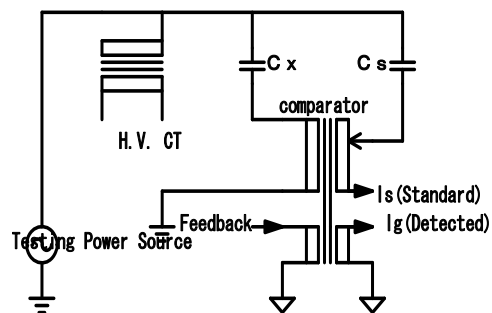
BLOCK DIAGRAM

GROUNDING SPECIMEN (GST Measurement)



GST: Grounded Specimen Test

UNGROUNDING SPECIMEN (UST Measurement)

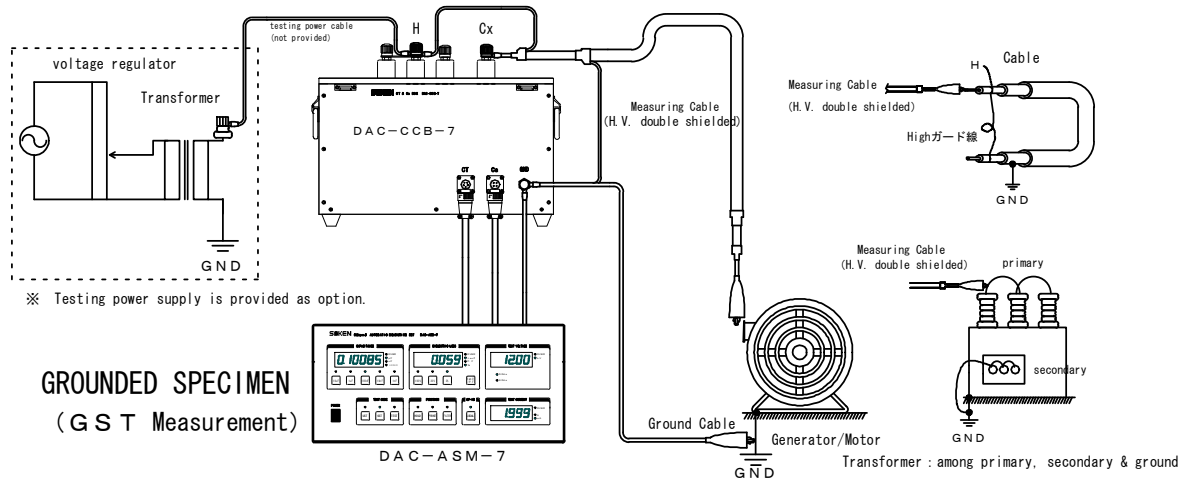


UST: Un-grounded Specimen Test

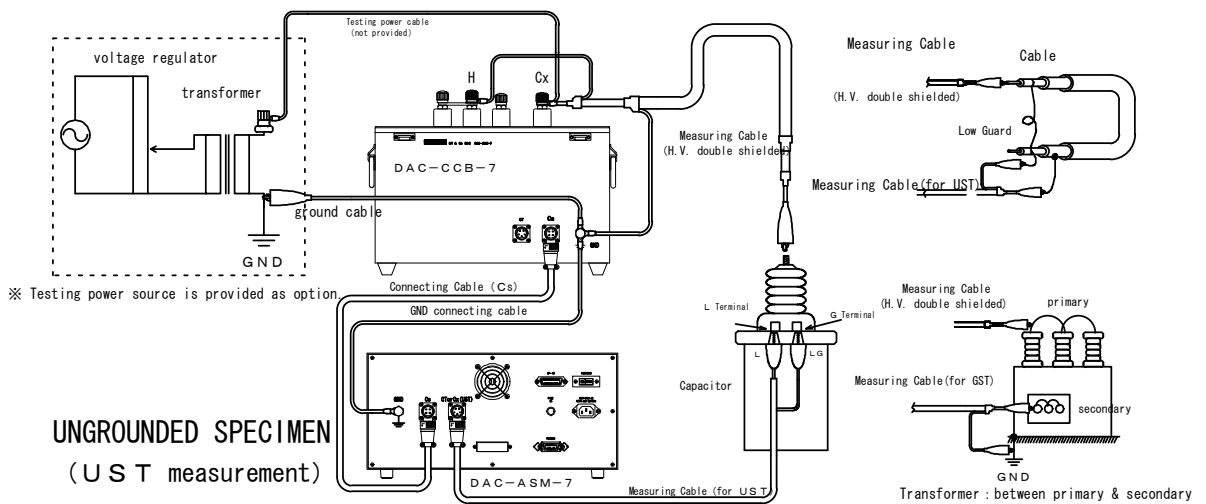
C & tan δ Automatic Measuring Set

MODEL : DAC-ASM-7

CONNECTING DIAGRAM

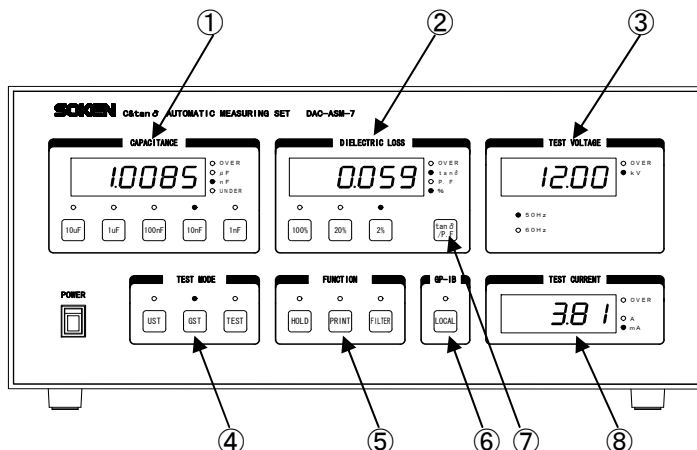


GROUND SPECIMEN
(G S T Measurement)



UNGROUND SPECIMEN
(U S T measurement)

EXPLANATION OF THE PANEL



- ① Capacitance
- ② Dissipation Power Factor ($\tan \delta$)
- ③ Test Voltage
- ④ Test Mode (GST, UST)
- ⑤ Print Key
- ⑥ GP-IB Switch
- ⑦ $\tan \delta$ / P.F. Selection
- ⑧ Test Current Display

C & tan δ Automatic Measuring Set for High Voltage Equipments (In a transferable cabinet with built-in Testing Power Supply) Model : DAC-5035

■ Specification [Testing Voltage 12kV/1kVA]

- ◆ Test Voltage : AC1kV~12kV 50/60Hz
- ◆ Test Range: Capacitance 100pF~10uF(GST Mode)
tan δ 0~100%
- ◆ Resolution : Capacitance 10pF(10nF Range)
tan δ 0.01%(10% Range)
- ◆ Capacity : 1kVA
- ◆ Power Source : Specified by customer 50/60Hz
- ◆ Size & Weight: W570 * H1300 * D630(mm)
Approx.120kg
- ◆ Other : 1) Built-in Thermal Printer
Specs 2) Alarm Lamp/Buzzer
3) Transferable cabinet with wheels
- ◆ Accessories : 1) Measuring Cables(GST, UST) 5M 2pcs
2) Dedicated Connecting Cables 5M 2pcs
3) AC Cord 5M 1pc
4) Grounding Cable 5M 2pcs
5) Storage Bag 1 pc



CT & Cs Box filled with SF6 gas for 30kV test DAC-CCB-6

Precise current transformer and standard capacitor are built-in DAC-CCB-6 together with SF6 Gas. It has been designed to use with C & tan δ Measuring Set DAC-ASM-7. Testing voltage is converted up to max. 30kV.

- ◆ Test Voltage : AC30kV
- ◆ Permissible Current : Cx < 0.1 μ F tap 1A
: Cx > 0.1 μ F tap 50A
- ◆ Test Frequency : 50/60Hz
- ◆ Internal Standard
Capacitor : Initial Capacitance 1000pF \pm 10%
: tan δ less than 0.05%
- ◆ Usage Gas and Pressure : SF6(0.2MPa)
- ◆ Size : W347 x D347 x H617(mm)
- ◆ Weight : Approx. 35kg



Specifications are subject to change for improvements without prior notice.



Head Office & Plants
ISO 9001 Accredited

SOKEN

SOKEN ELECTRIC CO., LTD.

<http://www.soken-jp.com>

3-57-124 Kami-Ishihara, Choufu-City, Tokyo 182-0035 JAPAN
TEL +81 42 490 6929 (Export Dept.) FAX +81 42 490 6807
TEL +81 42 490 6925 (Main)